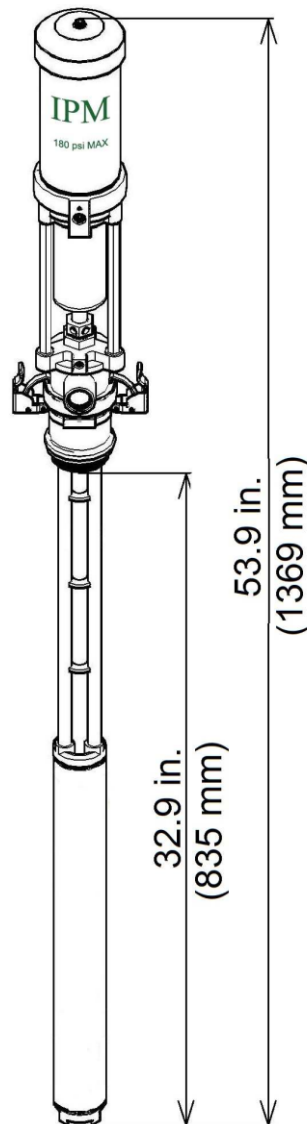


6.0 TECHNICAL SPECIFICATIONS

Technical Data

Fluid Ratio	2.25:1
Maximum Output Flow (intermittent)	7.5 gpm (28.4 lpm)
Maximum Output Flow (continuous)	5.0 gpm (18.9 lpm)
Maximum Output Pressure	405 psi (27.9 bar)
Maximum Air input Pressure	180 psi (12.4 bar)
Air inlet Port	1/4 npt (f)
Fluid Outlet Port	3/4 npt (f)
Rod & Piston Packings	PTFE
Other Seals	Viton
Rod & Cylinder	Stainless Steel
Other Wetted Parts	Stainless Steel

Dimensions



820301